



**AUSTRALIA'S BUSIEST KITCHENS
RELY ON COOKON.**



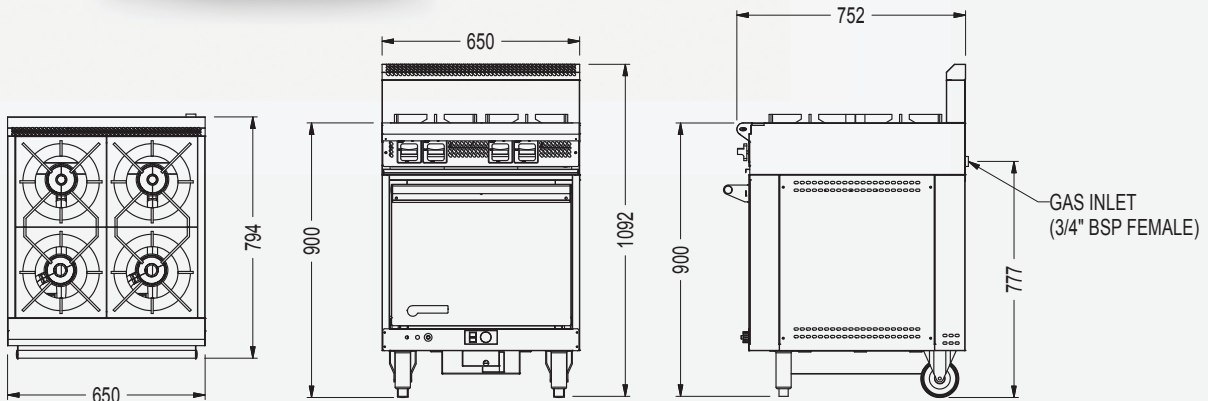
COOKON GR4 SERIES
HEAVY DUTY STATIC GAS OVEN RANGE

The GR-4 series is a gas fired heavy duty static gas oven range. The units' design allows for different cooking options to be incorporated on the top which gives you the option between:

- All open burners
- All griddle
- Flame failure to open burners
- Combination of open burners and griddle

AVAILABLE MODELS

- GR4 – 4 open burners
- GR4-3G – 2 open burners and 300mm griddle
- GR4-G – Full 600mm griddle
- GR4-FF - 4 open burners with flame failure



STANDARD FEATURES

- All stainless steel external panels
- Heavy duty cast burners
- Heavy duty cast trivets
- Rear castors
- Adjustable front feet
- Heavy duty cantilever drop down door
- Chrome oven shelves and side racks
- Large sized oven cavity

OPTIONAL FEATURES

- Flame failure safety devices

SPECIFICATIONS

GAS TYPE
Natural or LPG
(Specify when ordering)

GAS CONNECTION
¾" (BSP) female. All units supplied with regulators

GAS RATINGS

- GR4 @ 101MJ/hr
- GR4-3G @ 87MJ/hr
- GR4-G @ 73MJ/hr
- GR4-FF @ 101MJ/hr

GLOBAL MARK APPROVAL NO
GA-102405-001

DIMENSIONS (MM)

- Appliance: 650 x 795 x 1096
- Oven Cavity: 480 x 595 x 420

GRIDDLE SURFACE COOKING AREA (MM)

- 300 Griddle: 290 x 490
- 600 Griddle: 590 x 490

GRIDDLE THICKNESS (MM): 12

Specifications are subject to change without notice.

< CONFIDENCE IN QUALITY >
3 YEAR WARRANTY

All our products carry a 3 year warranty and will last a very long time if our care instructions are followed.
© Cookon is a member of the Langford Metal Industries Group, a Queensland company established 1955.

