

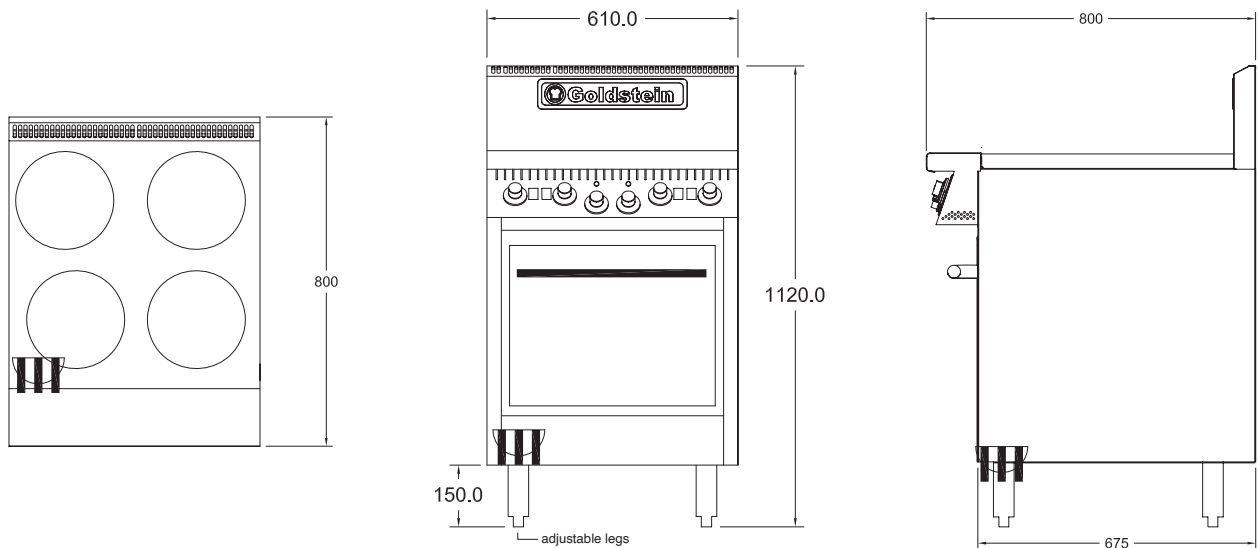


# 800 SERIES OVEN RANGES

## 505 mm Static Oven

### PE4S20 – Electric

- High performance easy to clean 2 kW solid hot plates
- Stainless steel fascia and sides, spill zone and drip trays for ease of cleaning
- Flexible, modular cooktop design enables many combinations of elements and griddle
- Static oven in gastronorm compatible sizes
- Ovens are fully insulated vitreous enamel for even heat and easy cleaning
- Heavy duty welded steel body for rigidity and durability



### PE4S20

#### SPECIFICATIONS

|                           |                     |
|---------------------------|---------------------|
| <b>Dimensions (WxDxH)</b> | 610 x 800 x 1120 mm |
| <b>Working height</b>     | 914 mm              |
| <b>Solid Plates</b>       | 4                   |

 3 Phase

|                            |                       |
|----------------------------|-----------------------|
| <b>Weight</b>              | 129 kg                |
| <b>Packed</b>              | 0.5 m <sup>3</sup>    |
| <b>Electric Connection</b> | 3 phase, 415V + N + E |
| <b>Rating</b>              | 13.5 kW               |

Australia's premier food service equipment manufacturer



[goldstein.com.au](http://goldstein.com.au)

211-217 Woodpark Road, Smithfield NSW 2164  
1800 013 123 | +61 2 9604 7333

